

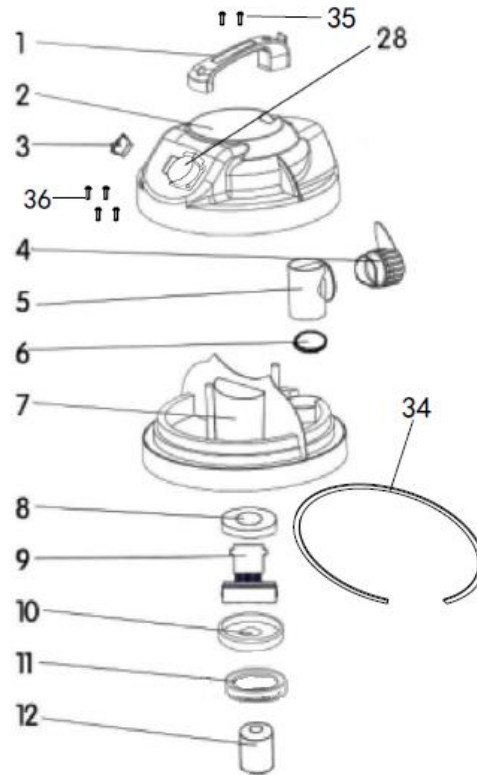
| Part-list | ES | EN | Prod. |
|-----------|----|-------------------|-------------------|
| 1 | A | GRUPO A AS-30 PRO | GROUP A AS-30 PRO |
| 2 | B | GRUPO B AS-30 PRO | GROUP B AS-30 PRO |
| 3 | C | GRUPO C AS-30 PRO | GROUP C AS-30 PRO |

| Prod. | ES | EN | From serial num. |
|-------|----------------------------------|---------------------------------------|------------------|
| 50962 | ASPIRADOR AS-30 PRO 230V 50/60HZ | VACUUM-CLEANER AS-30 PRO 230V 50/60Hz | 11023 |

Queda reservado el derecho de introducir cualquier modificacion técnica sin previo aviso

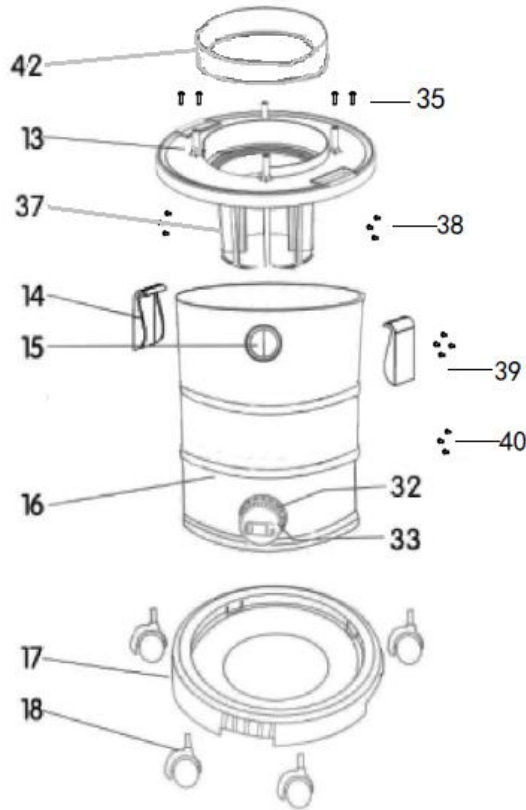
We reserve the right to introduce any technical modification without previous notice

A

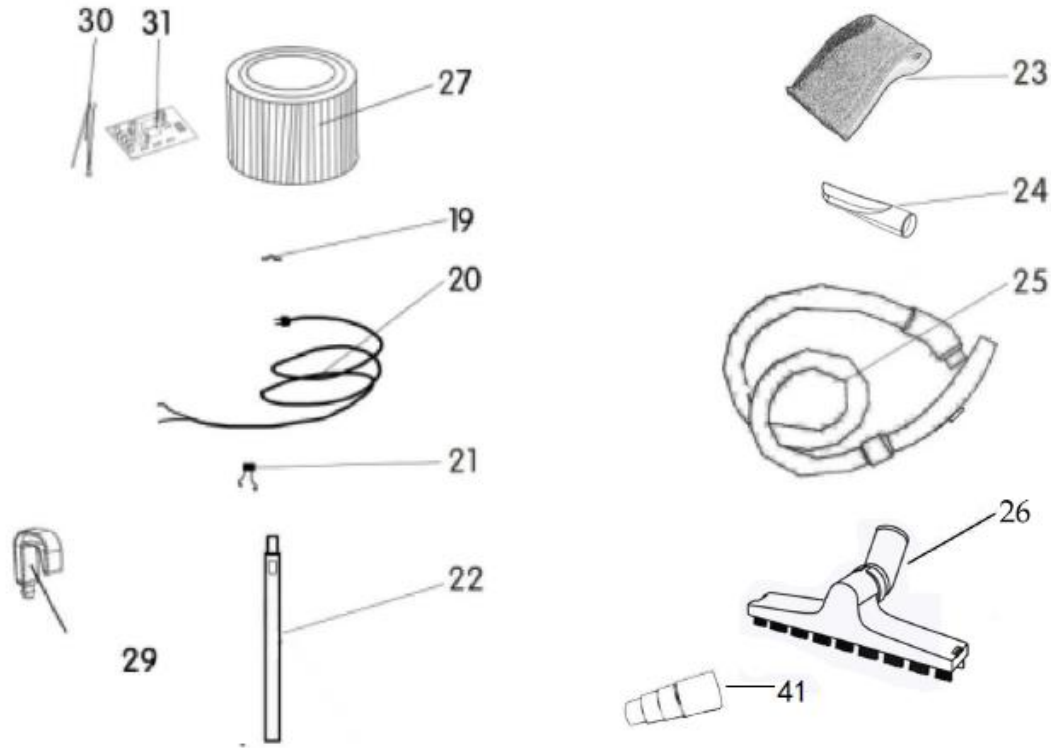


| Part-list | ES | EN | Prod. |
|-----------|---------|---|------------------------------------|
| 1 | 51454 1 | ASA AS-30 PRO | HANDLE AS-30 PRO |
| 2 | 51455 1 | CUBIERTA SUPERIOR AS-30 PRO | TOP SECTOR AS-30 PRO |
| 3 | 51456 1 | INTERRUPTOR AS-30 PRO | SWITCH AS-30 PRO |
| 4 | 51457 1 | SUJECION CABLE AS-30 PRO POS.4 | CORD HANGER AS-30 PRO POS.4 |
| 5 | 51458 1 | TUBO AIRE INTERIOR AS-30 PRO | INNER AIR TUBE AS-30 PRO |
| 6 | 51459 1 | JUNTA ESTANQUEIDAD AS-30 PRO | SEAL RING AS-30 PRO |
| 7 | 51460 1 | CUBIERA SUPERIOR MOTOR AS-30 PRO | MOTOR TOP COVER AS-30 PRO |
| 8 | 51756 1 | JUNTA ESTANQUEIDAD SUP.MOTOR AS-30 PRO V2 | MOTOR UPPER SEAL RING AS-30 PRO V2 |
| 9 | 51757 1 | MOTOR AS-30 PRO V2 | MOTOR AS-30 PRO V2 |
| 10 | 51758 1 | JUNTA ESTANQUEIDAD INF.MOTOR AS-30 PRO V2 | MOTOR BELOW SEAL RING AS-30 PRO V2 |
| 11 | 51761 1 | JUNTA BLOQUE FLOTANTE AS-30 PRO | FLOATING BLOCK SEAL RING AS-30 PRO |
| 12 | 51465 1 | BLOQUE FLOTANTE AS-30 PRO | FLOATING BLOCK AS-30 PRO |
| 28 | 51481 1 | TOMA CORRIENTE AS-30 PRO | OUTLET SOCKET AS-30 PRO |
| 34 | 51634 1 | JUNTA CUBIERTA BASE MOTOR AS-30 PRO | MOTOR BASE COVER JOINT AS-30 PRO |
| 35 | 51614 6 | TORN DIN 7981 M4X20 6.8 ZN | SCREW DIN 7981 M4X20 6.8 ZP |
| 36 | 51615 4 | TORN DIN 7981 M4X10 6.8 ZN | SCREW DIN 7981 M4X10 6.8 ZP |

B



| Part-list | ES | EN | Prod. |
|-----------|---------|--------------------------------------|--------------------------------------|
| 13 | 51759 1 | CUBIERTA SUP.BASE MOTOR AS-30 PRO V2 | UPPER MOTOR BASE COVER AS-30 PRO V2 |
| 14 | 51467 2 | CIERRE DEPOSITO AS-30 PRO | CLIP AS-30 PRO |
| 15 | 51468 1 | ENTRADA SUCCION DEPOSITO AS-30 PRO | SUCTION MOUTH AS-30 PRO |
| 16 | 51469 1 | DEPOSITO AS-30 PRO | TANK AS-30 PRO |
| 17 | 51470 1 | SOPORTE INFERIOR DEPOSITO AS-30 PRO | PLASTIC BARREL FEET AS-30 PRO |
| 18 | 51471 4 | RUEDA AS-30 PRO | WHEEL AS-30 PRO |
| 32 | 51485 1 | DESAGUE AS-30 PRO | WATER DRAIN AS-30 PRO |
| 33 | 51486 1 | TORN DESAGUE AS-30 PRO | WATER DRAIN SCREW AS-30 PRO |
| 35 | 51614 6 | TORN DIN 7981 M4X20 6.8 ZN | SCREW DIN 7981 M4X20 6.8 ZP |
| 37 | 51762 1 | CUBIERTA INF.BASE MOTOR AS-30 PRO V2 | LOWER MOTOR BASE COVER AS-30 PRO V2 |
| 38 | 51616 6 | TORN DIN 7981 M4X8 6.8 ZN | SCREW DIN 7981 M4X8 6.8 ZP |
| 39 | 51617 4 | TORN DIN 7981 M4X14 6.8 ZN | SCREW DIN 7981 M4X14 6.8 ZP |
| 40 | 51618 3 | TORN DIN 7981 M4X12 6.8 ZN | SCREW DIN 7981 M4X12 6.8 ZP |
| 42 | 51760 1 | JUNTA CUBIERTA BASE MOTOR AS-30 PRO | SEAL RING MOTOR BASE COVER AS-30 PRO |



| Part-list | ES | EN | Prod. |
|-----------|---------|-----------------------------------|--------------------------------|
| 19 | 51472 1 | SUJECION CABLE AS-30 PRO POS.19 | WIRE FIXING AS-30 PRO POS.19 |
| 20 | 51473 1 | CABLE ALIMENTACION AS-30 PRO | POWER CORD AS-30 PRO |
| 21 | 51474 1 | CONDENSADOR AS-30 PRO | CAPACITOR AS-30 PRO |
| 22 | 51475 1 | TUBO EXTENSION METAL AS-30 PRO | METAL EXTENSION TUBE AS-30 PRO |
| 23 | 50999 1 | FILTRO HUMEDO ASPIRADOR AS-30 PRO | WET FILTER AS-30 PRO |
| 24 | 51477 1 | BOQUILLA CORTA AS-30 PRO | SHORT NOZZLE AS-30 PRO |
| 25 | 51478 1 | MANGUERA AS-30 PRO | HOSE AS-30 PRO |
| 26 | 51479 1 | CEPILLO HUMEDO AS-30 PRO | WET BRUSH AS-30 PRO |
| 27 | 50998 1 | FILTRO SECO ASPIRADOR AS-30 PRO | DRY FILTER AS-30 PRO |
| 29 | 51482 1 | GANCHO CABLE AS-30 PRO | CORD HOOK AS-30 PRO |
| 30 | 51483 1 | CABLE INTERNO AS-30 PRO | INNER WIRE AS-30 PRO |
| 31 | 51484 1 | PLACA ELECTRONICA AS-30 PRO | PCB AS-30 PRO |
| 41 | 51635 1 | ADAPTADOR MANGUERA AS-30 PRO | HOSE ADAPTOR AS-30 PRO |